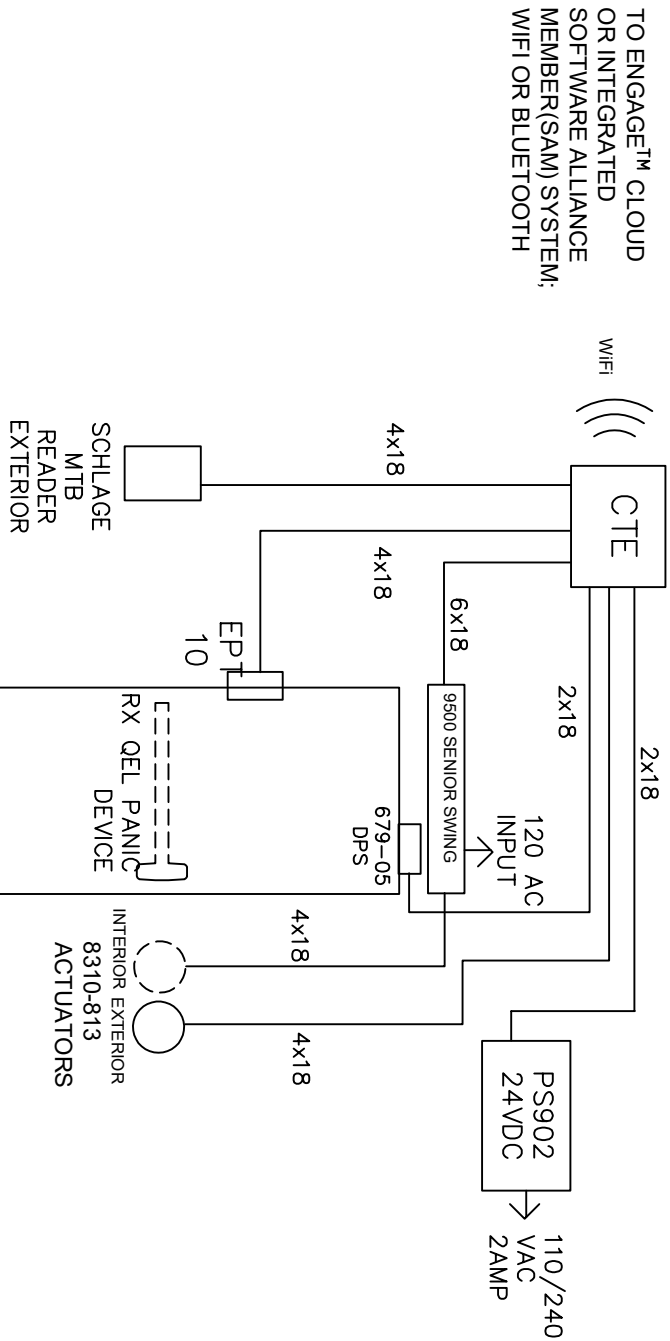


THIS DIAGRAM REPRESENTS A GENERIC CONFIGURATION. CUSTOM WIRING DIAGRAMS CAN BE ACQUIRED BY CONTACTING TECHNICAL SUPPORT.



- NOTES:
- 1) ALL LOW VOLTAGE WIRING TO BE STANDARD.
 - 2) MULTI-CONDUCTOR COLOR CODED WITHOUT SPLICES.
 - 3) WIRING TO CONFORM TO APPLICABLE NATIONAL, STATE AND LOCAL ELECTRICAL CODES.
 - 4) REFER TO SPECIFIC PRODUCT INSTALLATION INSTRUCTIONS FOR SPECIFIC WIRING REQUIREMENTS.
 - 5) * CONDUCTOR COUNT TO BE DETERMINED BY ACCESS CONTROL PANEL PROVIDER.

HARDWARE USED:

- 1 CTE X MTB SCHLAGE READER
- 1 VDI QEL PANIC
- 1 EPT 10
- 1 PS902
- 1 679-05 DPS
- 1 LCN 9500 SENIOR SWING - SINGLE DOOR
- 2 8310-813 TOUCHLESS ACTUATORS

TYPE:

CTE WITH QEL AND PS902 WITH 9500 SENIOR SWING AO, 8310-813 TOUCHLESS ACTUATORS

OPERATION:
SCHLAGE MTB READER TO SIGNAL EL TO RETRACT THE ELECTRIC LATCH ON VON DUBRN RX QEL PANIC BAR AND ENABLE EXTERIOR ACTUATOR TO ALLOW ENTRY. FREE EGRESS ALWAYS PERMITTED. INTERIOR ACTUATOR ALWAYS ACTIVE.
ADDITIONAL WIRING WILL BE REQUIRED THAT IS NOT SHOWN HERE.
CTE TO COMMUNICATE TO ENGAGE™ CLOUD OR SOFTWARE ALLIANCE MEMBER(SAM)SYSTEM
THIS IS NOT A FIRE RATED APPLICATION

DATE DRAWN: 03-27-20

REVISION DATE: 04-03-20

ALLEGION™

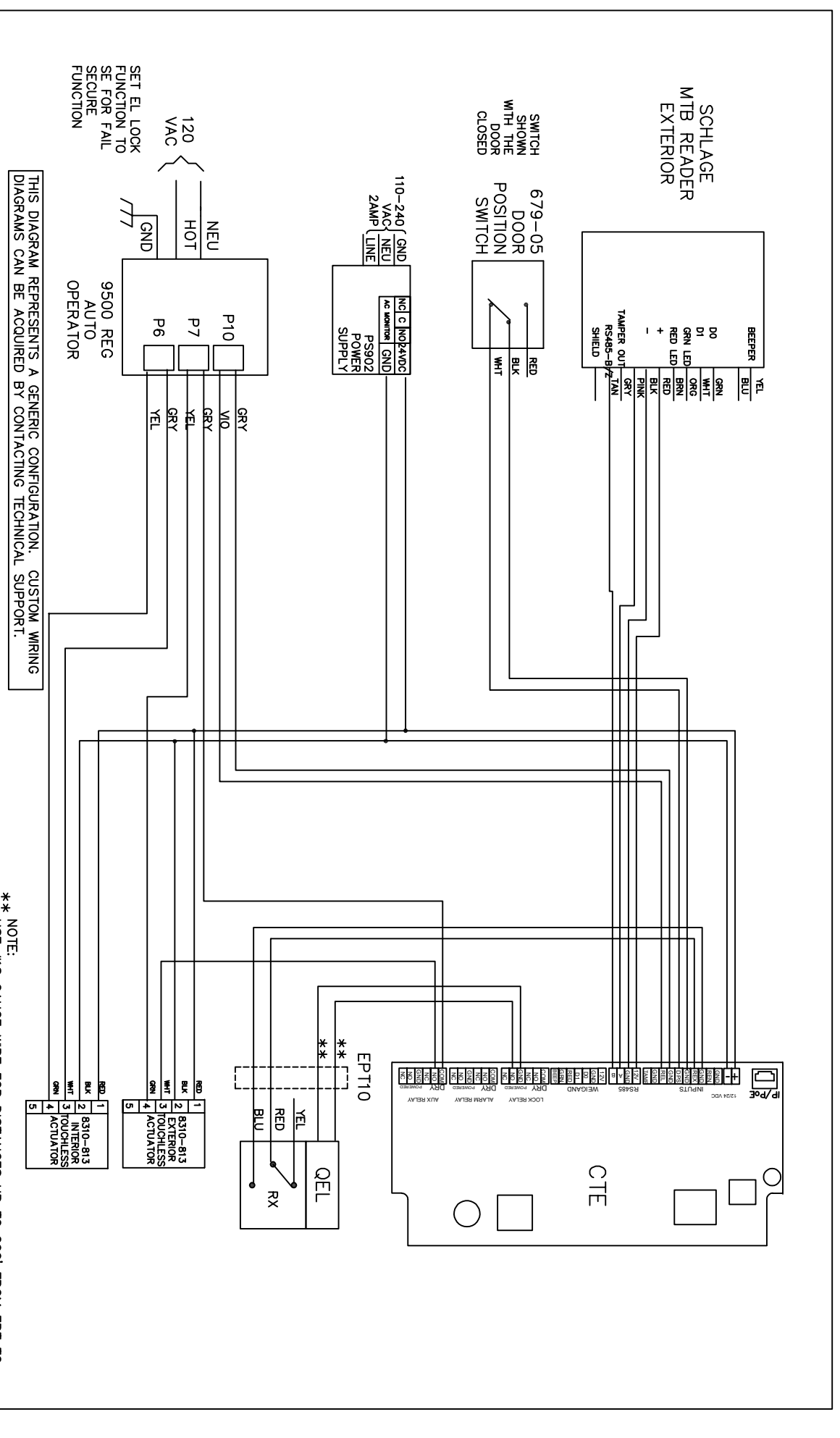
TITLE:
CTE WITH QEL AND PS902 WITH 9500 SENIOR SWING AO, 8310-813 TOUCHLESS ACTUATORS

DRAWING TYPE:
RISER DIAGRAM

DWG NO: 113518 R

DRAWN BY/CHECKED BY:
B DOVE/J WEISS

REV: A



NOTES:

- 1) ALL LOW VOLTAGE WIRING TO BE STANDARD. MULTI-CONDUCTOR COLOR CODED WITHOUT SPLICES.
- 2) WIRING TO CONFORM TO APPLICABLE NATIONAL, STATE AND LOCAL ELECTRICAL CODES.
- 3) REFER TO SPECIFIC PRODUCT INSTALLATION INSTRUCTIONS FOR SPECIFIC WIRING REQUIREMENTS.
- 4) THIS DRAWING IS FOR GRAPHICAL REPRESENTATION OF PRODUCTS DETAILED IN THE HARDWARE SET ONLY.
- 5) ADDITIONAL WIRING WILL BE REQUIRED FROM ACP THAT IS NOT SHOWN HERE. CONSULT PROVIDER FOR DETAILS.

HARDWARE USED:

CTE X MTB SCHLAGE READER
1 VD QEL PANIC
1 EPT 10
1 PS902
1 679/05 DPS
1 CON 9500 SENIOR SWING - SINGLE DOOR
2 8310-813 TOUCHLESS ACTUATORS

TYPE WITH QEL AND PS902 WITH 9500 SENIOR SWING AO, 8310-813 TOUCHLESS ACTUATORS

OPERATION:
SCHLAGE MTB READER TO SIGNAL EL TO RETRACT THE ELECTRIC LATCH ON VON DUPRIN RX QEL PANIC BAR AND ENABLE EXTERIOR ACTUATOR TO ALLOW ENTRY. FREE EGRESS ALWAYS PERMITTED. INTERIOR ACTUATOR ALWAYS ACTIVE.

ADDITIONAL WIRING WILL BE REQUIRED THAT IS NOT SHOWN HERE.

CTE TO COMMUNICATE TO ENGAGE™ CLOUD OR SOFTWARE ALLIANCE MEMBER(S) SYSTEM

THIS IS NOT A FIRE RATED APPLICATION

DATE DRAWN:	03-27-20	REVISION DATE:	04-03-20
-------------	----------	----------------	----------

ALLEGION™

CTE WITH QEL AND PS902 WITH 9500 SENIOR SWING AO, 8310-813 TOUCHLESS ACTUATORS

WIRING DIAGRAM

DWG NO: 113518W
DRAWN/CHECKED BY: B DOVE / J WEISS

REV: A